



aerospace
climate control
electromechanical
filtration
fluid & gas handling
hydraulics
pneumatics
process control
sealing & shielding



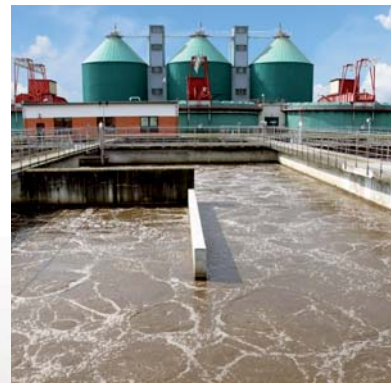
High Flow Valve Actuation Range
NAMUR Valves G1/4" & G1/2"
Piped Valves G1/4" & G1/2"
Banjo Valves G1/8" & G1/4"
for Control of Pneumatic Actuators



ENGINEERING YOUR SUCCESS.

Market Description

Process industries
 Chemical, Petrochemical industries
 Oil & Gas
 Water & Sewage
 Pulp & Paper
 Food & Beverage
 Pharmaceutical industry
 Powder Dosing-Transportation
 Air Dryers

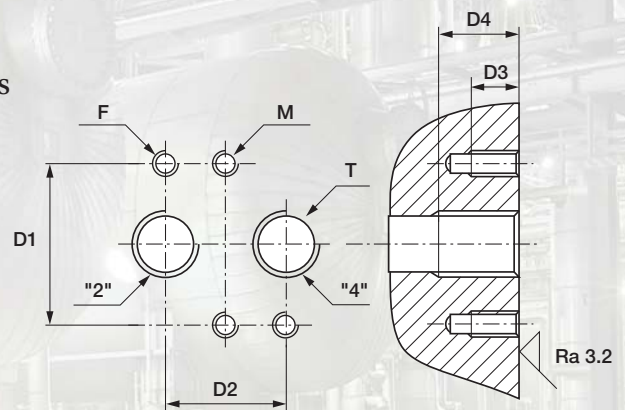


Description of Applications

Control of single or double acting pneumatic actuators, in safe or dangerous areas.

NAMUR Interfaces 1/4" & 1/2"

The interface design is conform to the NAMUR standard and to the VDI/VDE 3845 recommendations of the actuator industry. It allows a compact design of the actuator/valve unit. In case of a 3/2 function, the air of the actuator spring chamber also flows through the pilot valve (re-breather function). This prevents corrosion of the actuator springs.



F	T	D1 mm	D2 mm	D3 mm	D4 min. mm	M
M5	1/4	32	24	8	12	M5
M6	1/2	45	40	10	16	M6

F: 2 mounting holes - T: 2 actuators control port - M: 2 holes for dowel pins

Customer Value Proposition

- High flow: 1.250 l/min (1/4"), 3.000 l/min (1/2")
- Compact design
- Long life expectancy
- N3x & P3x Series compatible with any Parker Lucifer coil (ATEX or not) of electrical group 2 (8/9 W coils)
- Fail safe standard
- Reduced inventory (3/2 & 5/2 functions with the same valve on 341Nx5 series)
- Mechanical part of the valve ATEX certified according standard EN 13463-1 & -5



General Information

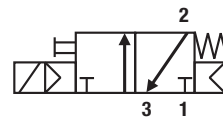
Function:	3/2, 5/2, 3/2 <=> 5/2 and 5/3 valves.
Manual override:	Standard on all versions.
Design:	Nxx & Pxx Series: Solenoid operated spool valve with combined spring and air return & external air pressure operated versions. B0x Series: Solenoid direct acting valve with spring return.
Mounting:	Nxx Series: For direct mounting on NAMUR interface 1/4" & 1/2" Pxx Series: Piped valves G1/4" & G1/2" Bxx Series: Equipped with a banjo bolt G1/8" or G1/4"
Mounting position:	Indifferent.
Material specifications:	Aluminium body. Internal parts of stainless steel. Sealing material from NBR.
Range of admissible pressure drop:	Δp min. = see table. Δp max. = 10 bar.
Media:	Dry or lubricated air.
Fluid temperature:	Min. 0°C Max. + 50°C
Ambient temperature:	-10°C to +50°C
Electrical part:	N0x / P0x / Bxx Series are compatible with 22 mm coil 496131 / 496482 / 496637 series N3x / P3x Series are compatible with 32/37/40 mm coils part of electrical group 2 (8/9W), including 481865 / 495870 / 495905 Series.
Solenoid duty:	100% ED.
Voltage:	481865 coil: 12 VDC , 24 VDC , 48 VDC , 110VDC, 24 V / 50 AC, 48 V / 50 AC, 110 V / 50 AC, 220-230V/50 AC, 115 V / 60 Hz AC, 230 V / 60 AC.
Voltage tolerance:	± 10% of nominal for 481865 coil.
Class of insulation material:	Class F for 481865 coil.
Standards:	Mechanical ATEX conform to EN 13463-1 & -5.

NAMUR Valves G1/4" Series

Solenoid Operated Versions N03-N05 Series with 22 mm Coil

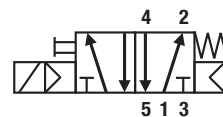
Port size	Orifice	Q _n	Admissible differential pressure (bar)		Max. admissible fluid temperature (°C)	Seat disc	Reference number			Consumption Power (Watt)		Weight (g)	Dimensions Reference	
			max.	min.			DC=	AC~	Valve	Housing	Coil			DC
G	mm	l/min	min	DC=	AC~	Air & Neutral gases		Valve	Housing	Coil	DC	AC		

3/2 Solenoid operated - Combined spring & air return (monostable)



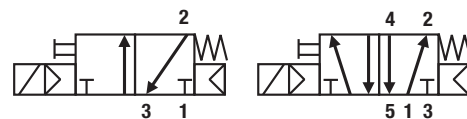
1/4	7	1250	2.5	10	10	50	NBR	331N03	-	496131	3	3	300	1
1/4	7	1250	2.5	10	10	50	NBR	331N03	-	496482	3	3	300	1
1/4	7	1250	2.5	10	10	50	NBR	331N03	-	496637	3	3	300	1

5/2 Solenoid operated - Combined spring & air return (monostable)



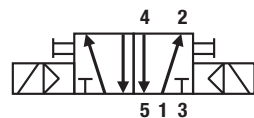
1/4	7	1250	2.5	10	10	50	NBR	341N03	-	496131	3	3	300	2
1/4	7	1250	2.5	10	10	50	NBR	341N03	-	496482	3	3	300	2
1/4	7	1250	2.5	10	10	50	NBR	341N03	-	496637	3	3	300	2

3/2 <=> 5/2 with conversion plate - Solenoid operated Combined spring & air return (monostable)



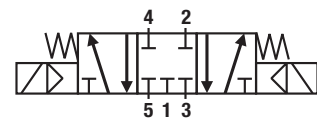
1/4	7	1250	2.5	10	10	50	NBR	341N05	-	496131	3	3	310	3
1/4	7	1250	2.5	10	10	50	NBR	341N05	-	496482	3	3	310	3
1/4	7	1250	2.5	10	10	50	NBR	341N05	-	496637	3	3	310	3

5/2 Solenoid operated and return (bistable)



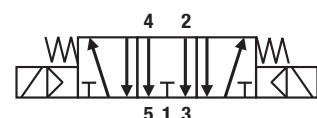
1/4	7	1250	2.5	10	10	50	NBR	347N03	-	496131	3	3	430	4
1/4	7	1250	2.5	10	10	50	NBR	347N03	-	496482	3	3	430	4
1/4	7	1250	2.5	10	10	50	NBR	347N03	-	496637	3	3	430	4

5/3 W1 closed in center position - Solenoid operated and return



1/4	7	1250	2.5	10	10	50	NBR	342N03	-	496131	3	3	430	4
1/4	7	1250	2.5	10	10	50	NBR	342N03	-	496482	3	3	430	4
1/4	7	1250	2.5	10	10	50	NBR	342N03	-	496637	3	3	430	4

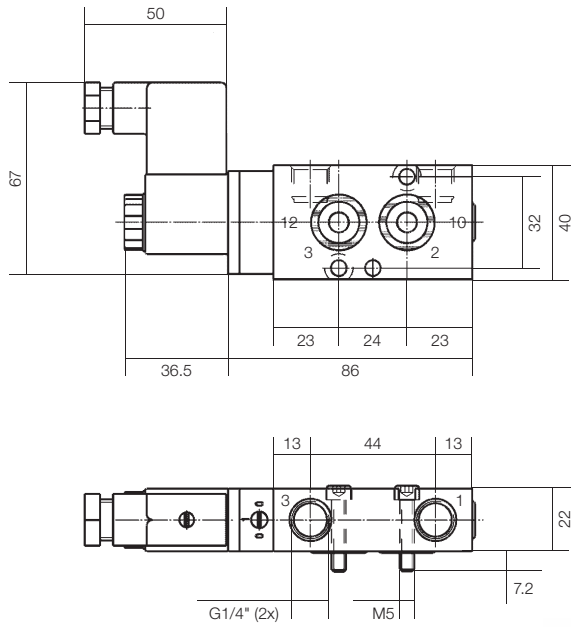
5/3 W3 exhausted in center position Solenoid operated and return



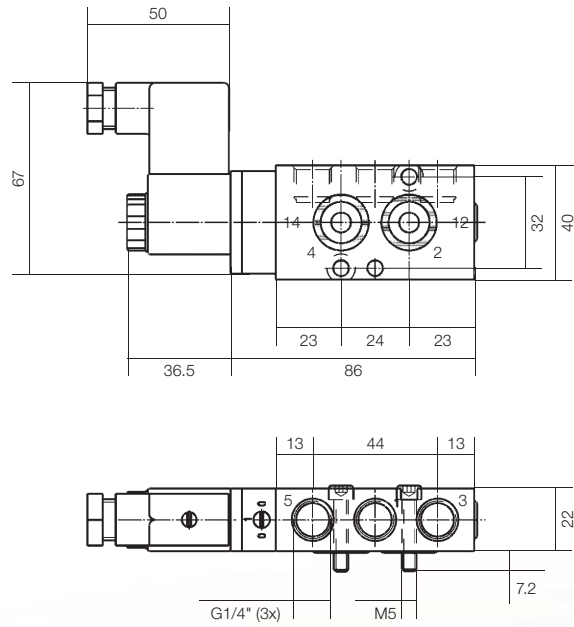
1/4	7	1250	2.5	10	10	50	NBR	343N03	-	496131	3	3	430	4
1/4	7	1250	2.5	10	10	50	NBR	343N03	-	496482	3	3	430	4
1/4	7	1250	2.5	10	10	50	NBR	343N03	-	496637	3	3	430	4

Please consult the "How to Order" part at the end of each coil chapter.

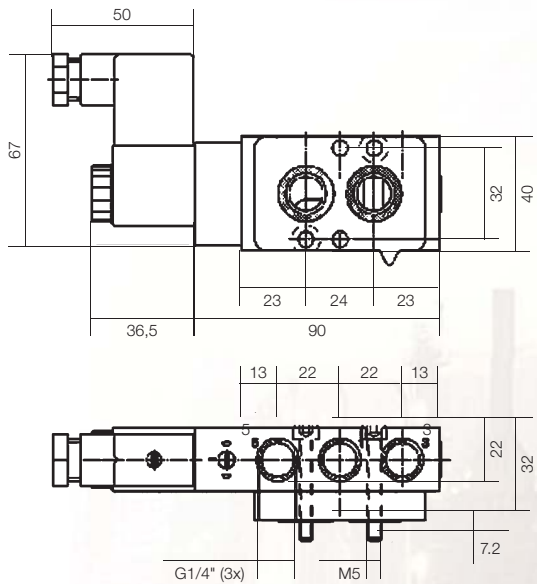
Dimensions Reference 1



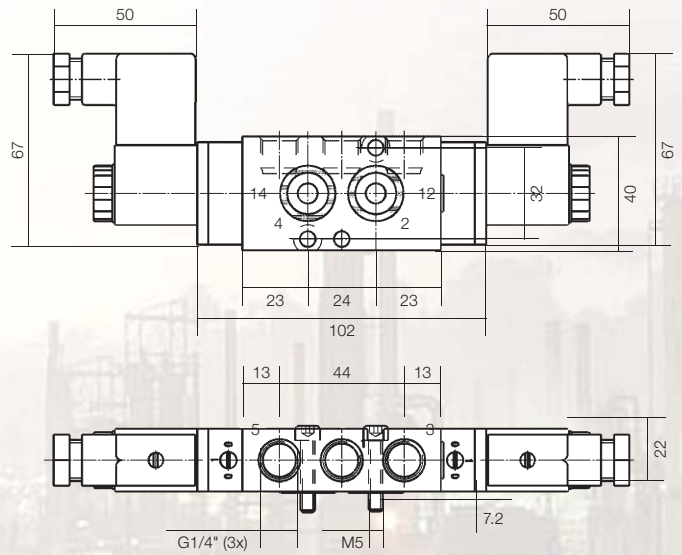
Dimensions Reference 2



Dimensions Reference 3



Dimensions Reference 4



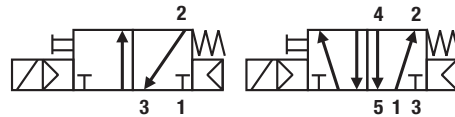
NAMUR Valves G1/4" Series

Solenoid Operated Versions

N33-N35 Series with 32 / 37 / 40 mm Coil

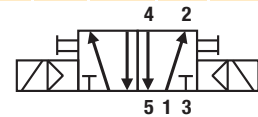
Port size	Orifice	Q _N	Admissible differential pressure (bar)		Max. admissible fluid temperature (°C)	Seat disc	Reference number			Consumption Power (Watt)		Weight (g)	Elect. Group	Dim. Ref.
			max.	min.			DC=	AC~	Valve	Housing	Coil			
G	mm	l/min	min	DC=	AC~	Air & Neutral gases								

3/2 <=> 5/2 with conversion plate - Solenoid operated Combined spring & air return (monostable)



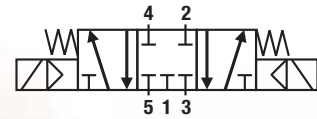
1/4	7	1250	2.5	10	10	50	NBR	341N35	2995	481865	9	8	480	2	5
1/4	7	1250	2.5	10	10	50	NBR	341N35	2995	495870	9	8	700	2	-
1/4	7	1250	2.5	10	10	50	NBR	341N35	-	495905	8	8	740	2	-

5/2 Solenoid operated and return (bistable)



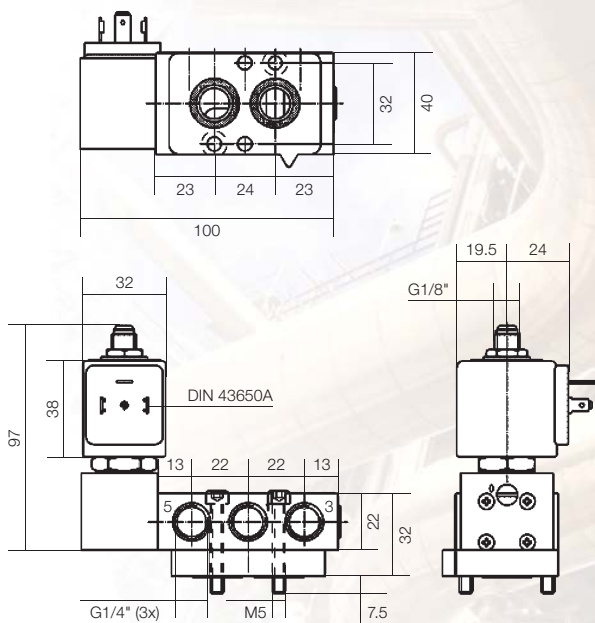
1/4	7	1250	2.5	10	10	50	NBR	347N33	2995	481865	9	8	750	2	6
1/4	7	1250	2.5	10	10	50	NBR	347N33	2995	495870	9	8	1190	2	-
1/4	7	1250	2.5	10	10	50	NBR	347N33	-	495905	8	8	1270	2	-

5/3 W1 Closed in center position Solenoid operated and return

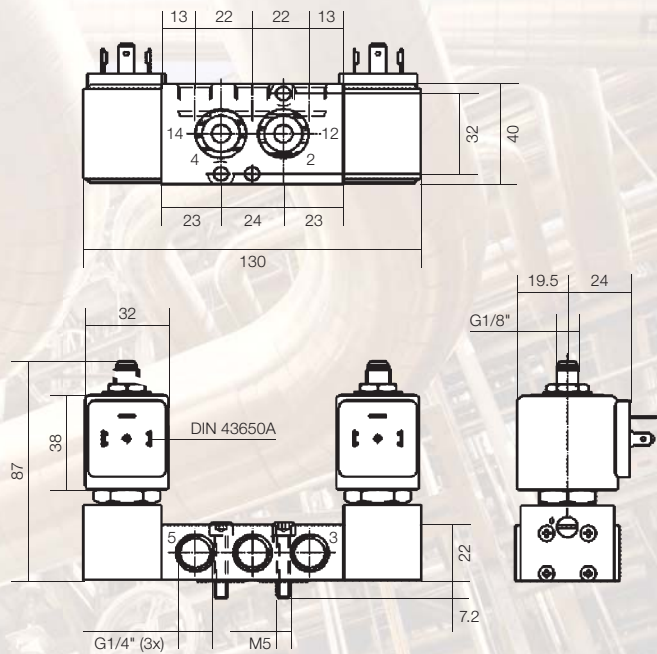


1/4	7	1250	2.5	10	10	50	NBR	342N33	2995	481865	9	8	750	2	6
1/4	7	1250	2.5	10	10	50	NBR	342N33	2995	495870	9	8	1190	2	-
1/4	7	1250	2.5	10	10	50	NBR	342N33	-	495905	8	8	1270	2	-

Dimensions Reference 5



Dimensions Reference 6



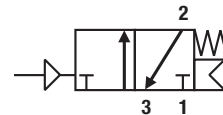
Please consult the "How to Order" part at the end of each coil chapter.

NAMUR Valves G1/4" Series

External Pressure Air Operated Series 5xx N03 Series

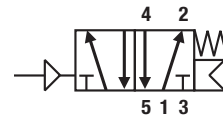
Port size	Orifice	Q _N	Admissible differential pressure (bar)		Max. admissible fluid temperature (°C)	Seat disc	Reference number			Consumption Power (Watt)		Weight (g)	Dimensions Reference
			max.	AC~			Valve	Housing	Coil	DC	AC		
G	mm	l/min	min	DC=	AC~	Air & Neutral gases							

3/2 External pressure air operated
Combined spring & air return (monostable)
External pressure supply 2.5 to 10 bar



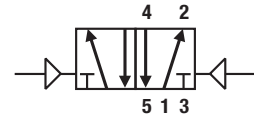
1/4	7	1250	2.5	10	10	50	NBR	531N03	-	w/o	-	-	210	7
-----	---	------	-----	----	----	----	-----	---------------	---	-----	---	---	-----	---

5/2 External pressure air operated
Combined spring & air return (monostable)
External pressure supply 2.5 to 10 bar



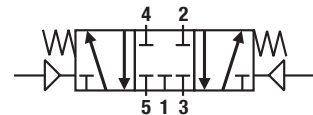
1/4	7	1250	2.5	10	10	50	NBR	541N03	-	w/o	-	-	210	8
-----	---	------	-----	----	----	----	-----	---------------	---	-----	---	---	-----	---

5/2 External pressure air operated
External pressure air return (bistable)
External pressure supply 2.5 to 10 bar



1/4	7	1250	2.5	10	10	50	NBR	547N03	-	w/o	-	-	240	9
-----	---	------	-----	----	----	----	-----	---------------	---	-----	---	---	-----	---

5/3 W1 closed in center position - External pressure air operated
External pressure air return
External pressure supply 2.5 to 10 bar

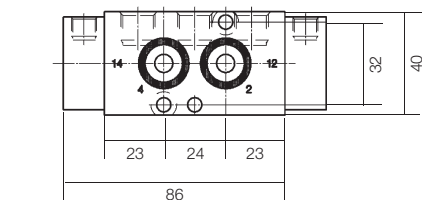
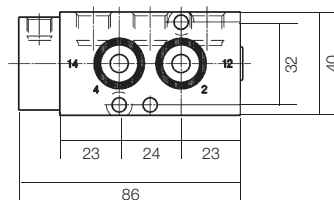
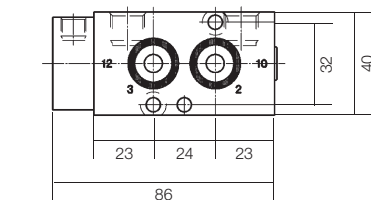


1/4	7	1250	2.5	10	10	50	NBR	542N03	-	w/o	-	-	240	9
-----	---	------	-----	----	----	----	-----	---------------	---	-----	---	---	-----	---

Dimensions Reference 7

Dimensions Reference 8

Dimensions Reference 9

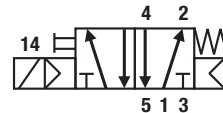


NAMUR Valves G1/2" Series

Solenoid Operated Versions N04 Versions with 22 mm Coil

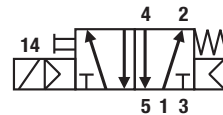
Port size	Orifice	Q _N	Admissible differential pressure (bar)		Max. admissible fluid temperature (°C)	Seat disc	Reference number			Consumption Power (Watt)		Weight (g)	Dimensions Reference
			max.	AC~			Valve	Housing	Coil	DC	AC		
G	mm	l/min	min	DC=	AC~	Air & Neutral gases							

3/2 Solenoid operated Combined spring & air return (monostable)



1/2	12	3000	2.5	10	10	50	NBR	331N04	-	496131	3	3	910	670	10
1/2	12	3000	2.5	10	10	50	NBR	331N04	-	496482	3	3	1130	670	10
1/2	12	3000	2.5	10	10	50	NBR	331N04	-	496637	3	3	1170	670	10

5/2 Solenoid operated Combined spring & air return (monostable)



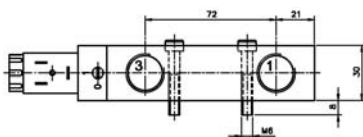
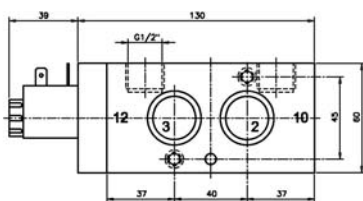
1/2	12	3000	2.5	10	10	50	NBR	341N04	-	496131	3	3	900	840	11
1/2	12	3000	2.5	10	10	50	NBR	341N04	-	496482	3	3	1120	840	11
1/2	12	3000	2.5	10	10	50	NBR	341N04	-	496637	3	3	1160	840	11

5/2 Solenoid operated and return (bistable)

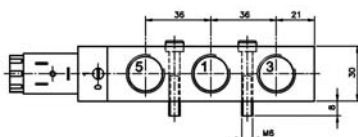
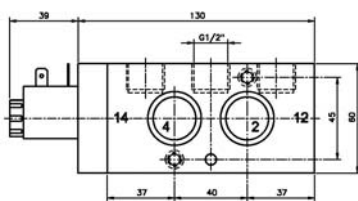


1/2	12	3000	2.5	10	10	50	NBR	347N04	-	496131	3	3	1240	840	12
1/2	12	3000	2.5	10	10	50	NBR	347N04	-	496482	3	3	1680	840	12
1/2	12	3000	2.5	10	10	50	NBR	347N04	-	496637	3	3	1760	840	12

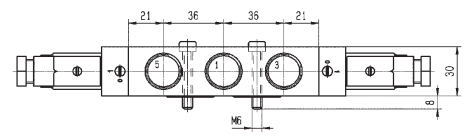
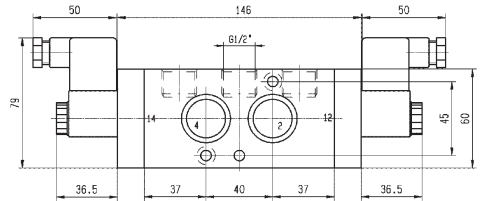
Dimensions Reference 10



Dimensions Reference 11



Dimensions Reference 12



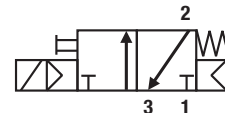
Please consult the "How to Order" part at the end of each coil chapter.

NAMUR Valves G1/2" Series

Solenoid Operated Versions N34 Series with 32 / 37 / 40 mm Coil

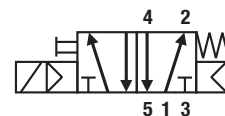
Port size	Orifice	Q _N	Admissible differential pressure (bar)		Max. admissible fluid temperature (°C)	Seat disc	Reference number			Consumption Power (Watt)		Weight (g)	Elect. Group	Dim. Ref.
			max.	AC~			Valve	Housing	Coil	DC	AC			
G	mm	l/min	min	DC=	AC~	Air & Neutral gases								

3/2 Solenoid operated Combined spring & air return (monostable)



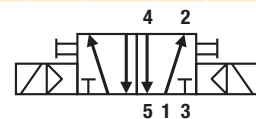
1/2	12	3000	2.5	10	10	50	NBR	331N34	2995	481865	9	8	910	2	13
1/2	12	3000	2.5	10	10	50	NBR	331N34	2995	495870	9	8	1130	2	-
1/2	12	3000	2.5	10	10	50	NBR	331N34	-	495905	8	8	1170	2	-

5/2 Solenoid operated Combined spring & air return (monostable)



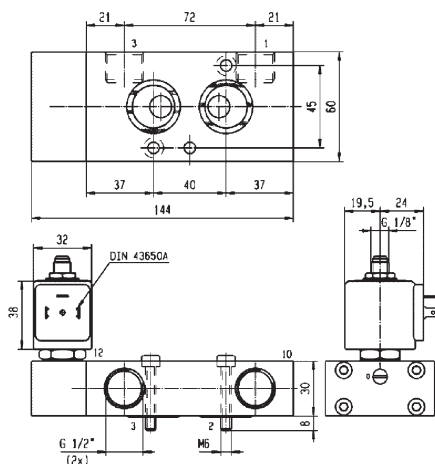
1/2	12	3000	2.5	10	10	50	NBR	341N34	2995	481865	9	8	900	2	14
1/2	12	3000	2.5	10	10	50	NBR	341N34	2995	495870	9	8	1120	2	-
1/2	12	3000	2.5	10	10	50	NBR	341N34	-	495905	8	8	1160	2	-

5/2 Solenoid operated and return (bistable)

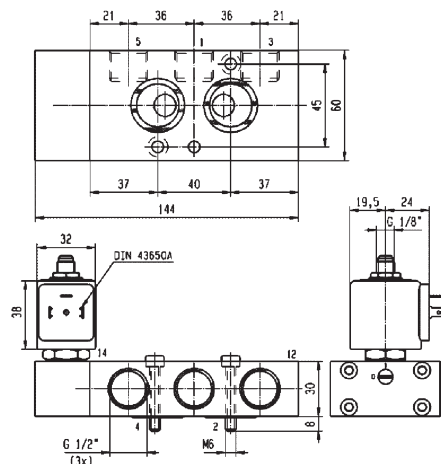


1/2	12	3000	2.5	10	10	50	NBR	347N34	2995	481865	9	8	1240	2	15
1/2	12	3000	2.5	10	10	50	NBR	347N34	2995	495870	9	8	1680	2	-
1/2	12	3000	2.5	10	10	50	NBR	347N34	-	495905	8	8	1760	2	-

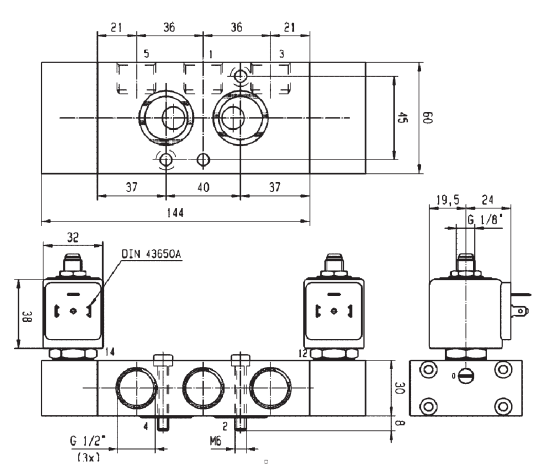
Dimensions Reference 13



Dimensions Reference 14



Dimensions Reference 15



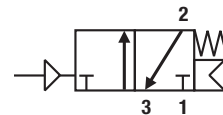
Please consult the "How to Order" part at the end of each coil chapter.

NAMUR Valves G1/2" Series

External Pressure Air Operated Series 5 xx N04 Series

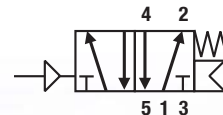
Port size	Orifice	Q _N	Admissible differential pressure (bar)		Max. admissible fluid temperature (°C)	Seat disc	Reference number			Consumption Power (Watt)		Weight (g)	Dimensions Reference
			max.	min.			Valve	Housing	Coil	DC	AC		
G	mm	l/min	min	DC= AC~	Air & Neutral gases		Valve	Housing	Coil	DC	AC		

3/2 External pressure air operated
Combined spring & air return (monostable)
External pressure supply 2.5 to 10 bar



1/2	12	3000	2.5	10	10	50	NBR	531N04	-	w/o	-	-	620	16
-----	----	------	-----	----	----	----	-----	---------------	---	-----	---	---	-----	----

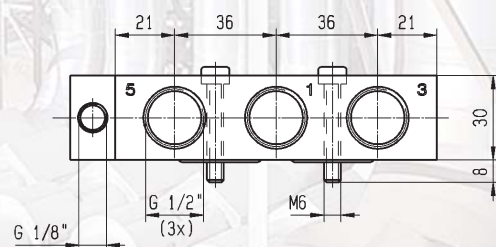
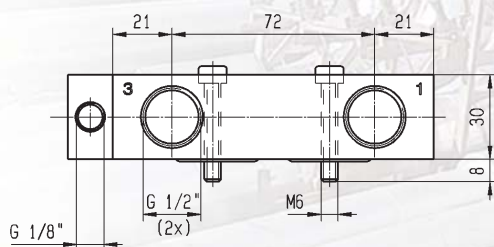
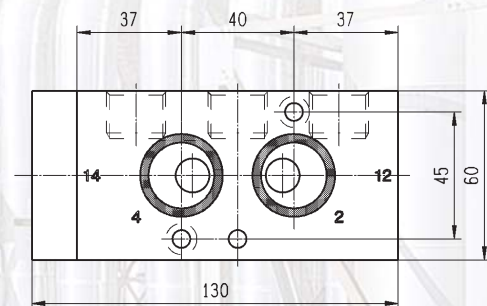
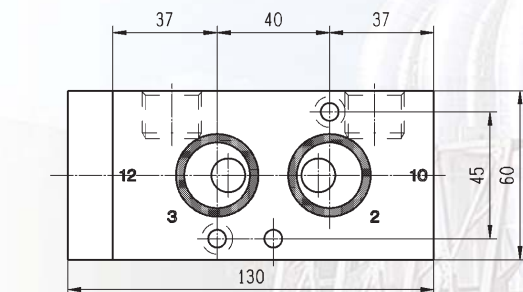
5/2 External pressure air operated
Combined spring & air return (monostable)
External pressure supply 2.5 to 10 bar



1/2	12	3000	2.5	10	10	50	NBR	541N04	-	w/o	-	-	600	17
-----	----	------	-----	----	----	----	-----	---------------	---	-----	---	---	-----	----

Dimensions Reference 16

Dimensions Reference 17



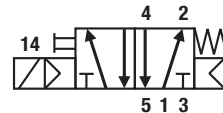
Please consult the "How to Order" part at the end of each coil chapter.

Piped Valves - G1/4" Series

Solenoid Operated Versions P03 Versions with 22 mm Coil

Port size	Orifice	Q _N	Admissible differential pressure (bar)		Max. admissible fluid temperature (°C)	Seat disc	Reference number			Consumption Power (Watt)		Weight (g)	Dimensions Reference	
			max.	min.			DC=	AC~	Valve	Housing	Coil			DC
G	mm	l/min	min	DC=	AC~	Air & Neutral gases		Valve	Housing	Coil	DC	AC		

5/2 Solenoid operated Combined spring & air return (monostable)



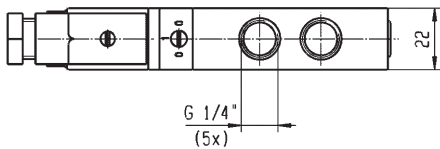
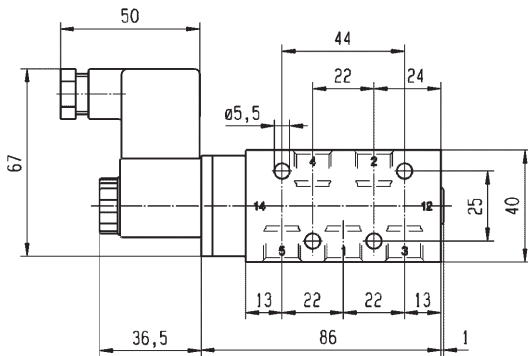
1/4	7	1250	2.5	10	10	50	NBR	341P03	-	496131	3	3	250	18
1/4	7	1250	2.5	10	10	50	NBR	341P03	-	496482	3	3	250	18
1/4	7	1250	2.5	10	10	50	NBR	341P03	-	496637	3	3	250	18

5/2 Solenoid operated and return (bistable)

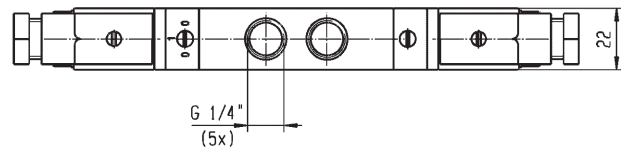
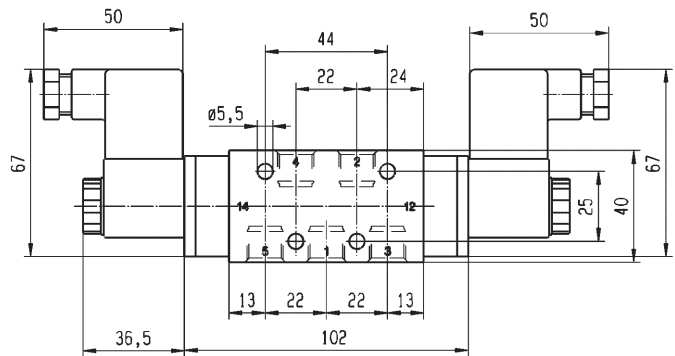


1/4	7	1250	2.5	10	10	50	NBR	347P03	-	496131	3	3	350	19
1/4	7	1250	2.5	10	10	50	NBR	347P03	-	496482	3	3	350	19
1/4	7	1250	2.5	10	10	50	NBR	347P03	-	496637	3	3	350	19

Dimensions Reference 18



Dimensions Reference 19



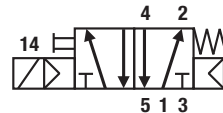
Please consult the "How to Order" part at the end of each coil chapter.

Piped Valves - G1/4" Series

Solenoid Operated Versions P33 Versions with 32-37-40 mm Coil

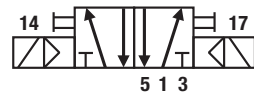
Port size	Orifice	Q _v	Admissible differential pressure (bar)		Max. admissible fluid temperature (°C)	Seat disc	Reference number			Consumption Power (Watt)		Weight (g)	Elect. Group	Dim. Ref.
			max.	min.			DC=	AC~	Valve	Housing	Coil			
G	mm	l/min	min	DC=	AC~	Air & Neutral gases								

5/2 Solenoid operated Combined spring & air return (monostable)



1/4	7	1250	2.5	10	10	50	NBR	341P33	2995	481865	9	8	470	2	20
1/4	7	1250	2.5	10	10	50	NBR	341P33	2995	495870	9	8	690	2	-
1/4	7	1250	2.5	10	10	50	NBR	341P33	-	495905	8	8	730	2	-

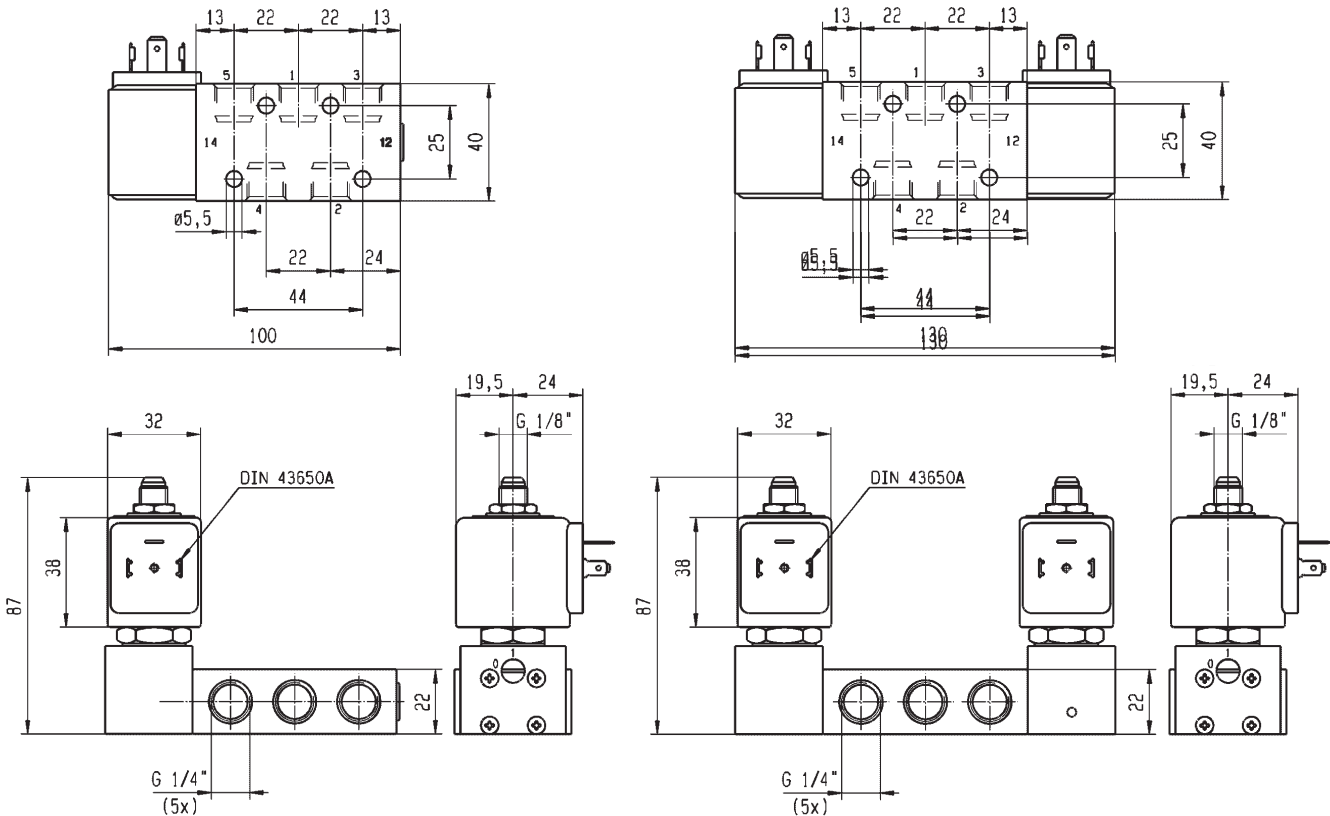
5/2 Solenoid operated and return (bistable)



1/4	7	1250	2.5	10	10	50	NBR	347P33	2995	481865	9	8	750	2	21
1/4	7	1250	2.5	10	10	50	NBR	347P33	2995	495870	9	8	1190	2	-
1/4	7	1250	2.5	10	10	50	NBR	347P33	-	495905	8	8	1270	2	-

Dimensions Reference 20

Dimensions Reference 21



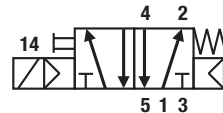
Please consult the "How to Order" part at the end of each coil chapter.

Piped Valves - G1/2" Series

Solenoid Operated Versions
P04 Versions with 22 mm Coil

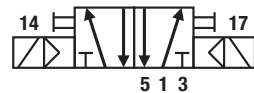
Port size	Orifice	Q _N	Admissible differential pressure (bar)		Max. admissible fluid temperature (°C)	Seat disc	Reference number			Consumption Power (Watt)		Weight (g)	Dimensions Reference
			max.	min.			DC=	AC~	Valve	Housing	Coil		
G	mm	l/min	min	DC=	AC~	Air & Neutral gases							

5/2 Solenoid operated Combined spring & air return (monostable)



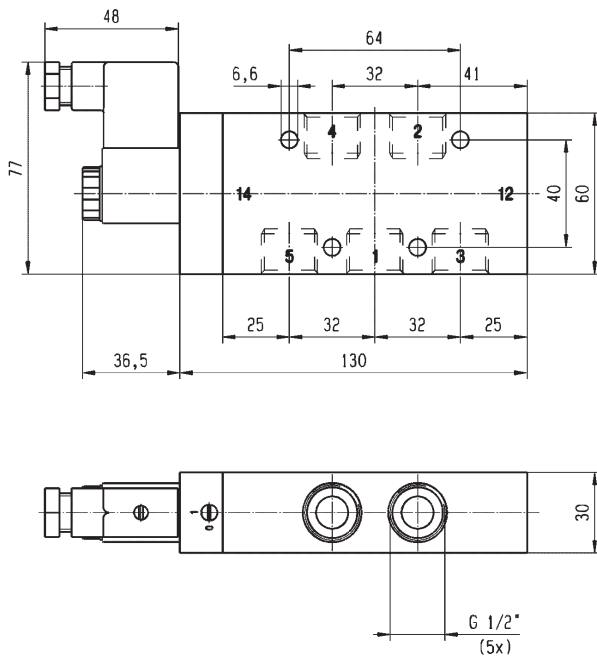
1/2	12	3000	2.5	10	10	50	NBR	341P04	-	496131	3	3	670	22
1/2	12	3000	2.5	10	10	50	NBR	341P04	-	496482	3	3	670	22
1/2	12	3000	2.5	10	10	50	NBR	341P04	-	496637	3	3	670	22

5/2 Solenoid operated and return (bistable)

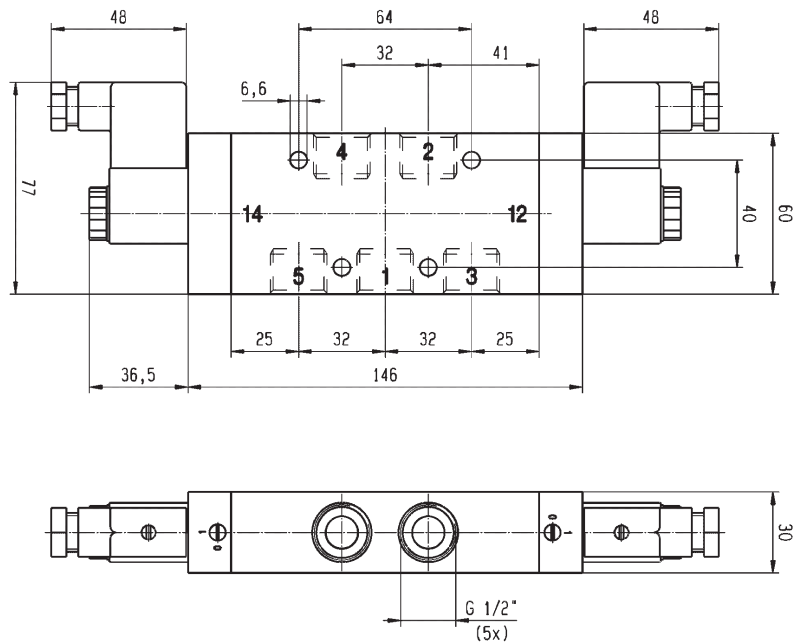


1/2	12	3000	2.5	10	10	50	NBR	347P04	-	496131	3	3	840	23
1/2	12	3000	2.5	10	10	50	NBR	347P04	-	496482	3	3	840	23
1/2	12	3000	2.5	10	10	50	NBR	347P04	-	496637	3	3	840	23

Dimensions Reference 22



Dimensions Reference 23



Please consult the "How to Order" part at the end of each coil chapter.

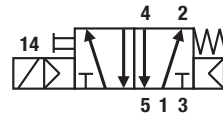
Piped Valves - G1/2" Series

Solenoid Operated Versions

P34 Versions with 32/37/40 mm Coil

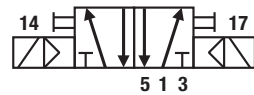
Port size	Orifice	Q _n	Admissible differential pressure (bar)		Max. admissible fluid temperature (°C)	Seat disc	Reference number			Consumption Power (Watt)		Weight (g)	Elect. Group	Dim. Ref.
			max.	AC~			Valve	Housing	Coil	DC	AC			
G	mm	l/min	min	DC=	AC~	Air & Neutral gases								

5/2 Solenoid operated Combined spring & air return (monostable)



1/2	12	3000	2.5	10	10	50	NBR	341P34	2995	481865	9	8	900	2	24
1/2	12	3000	2.5	10	10	50	NBR	341P34	2995	495870	9	8	1120	2	-
1/2	12	3000	2.5	10	10	50	NBR	341P34	-	495905	8	8	1160	2	-

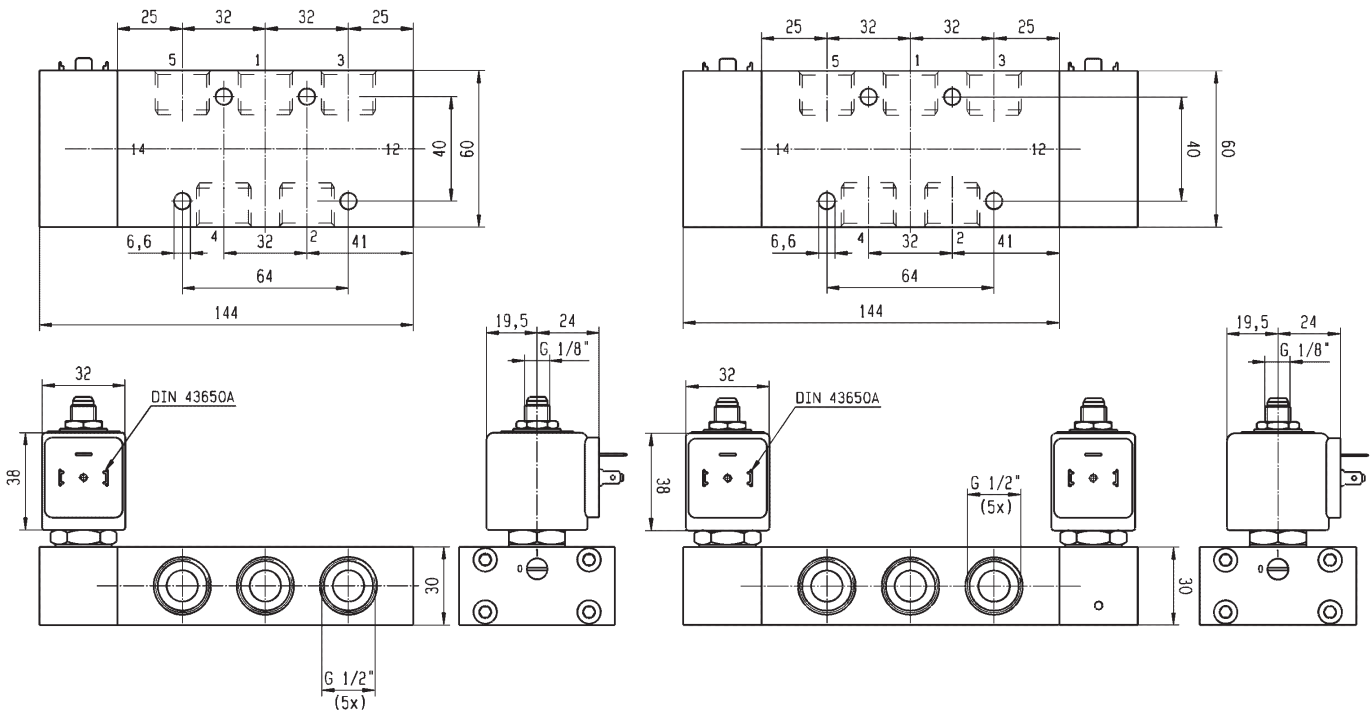
5/2 Solenoid operated and return (bistable)



1/2	12	3000	2.5	10	10	50	NBR	347P34	2995	481865	9	8	1240	2	25
1/2	12	3000	2.5	10	10	50	NBR	347P34	2995	495870	9	8	1680	2	-
1/2	12	3000	2.5	10	10	50	NBR	347P34	-	495905	8	8	1760	2	-

Dimensions Reference 24

Dimensions Reference 25



Please consult the "How to Order" part at the end of each coil chapter.

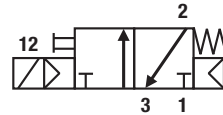
Banjo Valves - G1/4" & G1/8" Series

Solenoid Operated Versions

B03-B04 Versions with 22 mm Coil

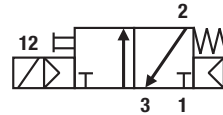
Port size	Orifice	Q _N	Admissible differential pressure (bar)		Max. admissible fluid temperature (°C)	Seat disc	Reference number			Consumption Power (Watt)		Weight (g)	Dimensions Reference	
			max.	min.			DC=	AC~	Valve	Housing	Coil			DC
G	mm	l/min	min	DC=	AC~	Air & Neutral gases		Valve	Housing	Coil	DC	AC		

3/2 Solenoid operated - Spring return (monostable)



1/8	1.2	50	0	10	10	50	NBR	131B14	-	496131	3	3	140	26
1/8	1.2	50	0	10	10	50	NBR	131B14	-	496482	3	3	140	26
1/8	1.2	50	0	10	10	50	NBR	131B14	-	496637	3	3	140	26

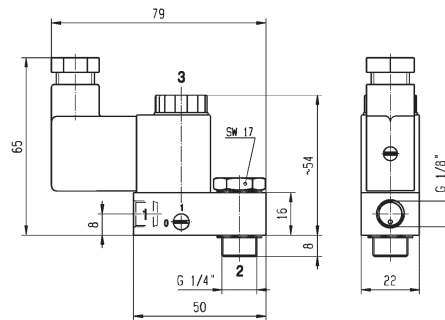
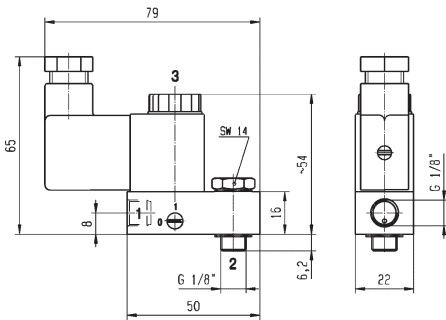
3/2 Solenoid operated - Spring return (monostable)



1/4	1.2	50	0	10	10	50	NBR	131B04	-	496131	3	3	160	27
1/4	1.2	50	0	10	10	50	NBR	131B04	-	496482	3	3	160	27
1/4	1.2	50	0	10	10	50	NBR	131B04	-	496637	3	3	160	27

Dimensions Reference 26

Dimensions Reference 27



Please consult the "How to Order" part at the end of each coil chapter.

Coils and Spare Parts Informations

Coils 22 mm for N03-N05 Series Safe Area & ATEX Zone 22

Ref. 496131 / 496482 / 496637

These coils with connection for 2 P+G DIN 43650 B plug are encapsulated in synthetic material, conform to the IEC/CENELEC safety standards and comply with European low voltage directive 73/23/EC .

- Power: 3W
- Insulation Class: F (155°C)
- Degree of Protection: IP65 (with plug)
- Duty Cycle: 100% ED
- Ambient Temperature: -10°C to 50°C

3 different types are available:

- **Ref. 496131**
for a safe area without plug
- **Ref. 496482**
for a safe area with plug
- **Ref. 496637**
for an ATEX area Zone 22



496637 coil series with connection 2P + G when mounted together with the supplied Pg9 plug (delivered with the coil) are suitable for use in dangerous areas (dust Zone 22) according to the European directive ATEX 94/9/C. Protection mode: Ex tD A22 IP65 - T95°C

Available Voltages	Safe area without DIN plug Order Code	Safe area with DIN plug Order Code	ATEX Zone 22 EX II 3D Order Code
12 VDC	496131 C1	496482 C1	496637 C1
24 VDC	496131 C2	496482 C2	496637 C2
48 VDC	496131 C4	496482 C4	496637 C4
110 VDC	496131 C5	496482 C5	496637 C5
24/50-60 VAC	496131 P0	496482 P0	496637 P0
48/50-60 VAC	496131 S4	496482 S4	496637 S4
110/50-60 VAC	496131 P2	496482 P2	496637 P2
115/60 VAC	496131 K8	496482 K8	496637 K8
230/50-60 VAC	496131 P9	496482 P9	496637 P9

How to Order

The housing kit is already included into the coil reference, so it's not needed to add it with the order code:

Valve Reference Number - Coil Reference - Voltage code = Order code

Example: 341N03 - 496131 C2

Valves and coils may be ordered also separately.

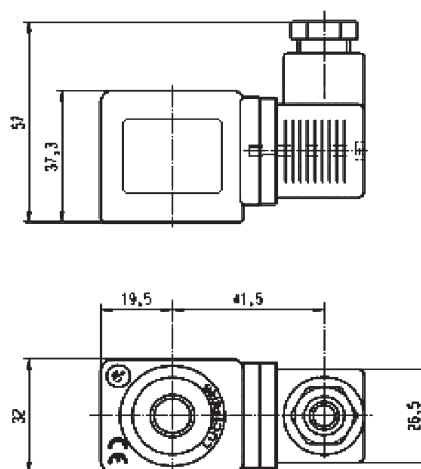
Coils 32 mm / 37 mm / 40 mm for N33-N34-N35 Series Safe Area

Ref. 481865

N3x series are compatible with any Parker Lucifer coil part of electrical group 2. That group includes many different coils for safe areas or areas submitted to ATEX certifications. These coils are part of the 8/9W class.

These coils with connection for 2P+G DIN 43650 A plug are encapsulated in synthetic material, conform to the IEC/CENELEC safety standards and comply with European low voltage directive 73/23/EC.

- Power: 8W (AC) 9W (DC)
- Insulation Class: F (155°C)
- Degree of Protection: IP65 (with plug)
- Duty Cycle: 100% ED
- Voltage Tolerance -10% / +10%
- Ambient Temperature -40°C / +50°C
 - ▶ The application can be limited also by the temperature range of the valve



Available Voltages	Order Code
12 VDC	481865 C1
24 VDC	481865 C2
48 VDC	481865 C4
110 VDC	481865 C5
24/50 VAC	481865 A2
48/50 VAC	481865 A4
110/50 VAC	481865 A5
220-230/50 VAC	481865 3D
380/50 VAC	481865 A9
24/60 VAC	481865 B2
115/60 VAC	481865 K8
230/60 VAC	481865 J3



How to Order

This coil must be used together with a housing kit which includes a nut, a plate, and a washer. Housing Kit Order Code: **2995**

Valve Reference Number - Housing Reference - Coil Reference - Voltage Code = Order Code

Example: 341N35 - 2995 - 481865 C2

Valves and coils may be ordered also separately.

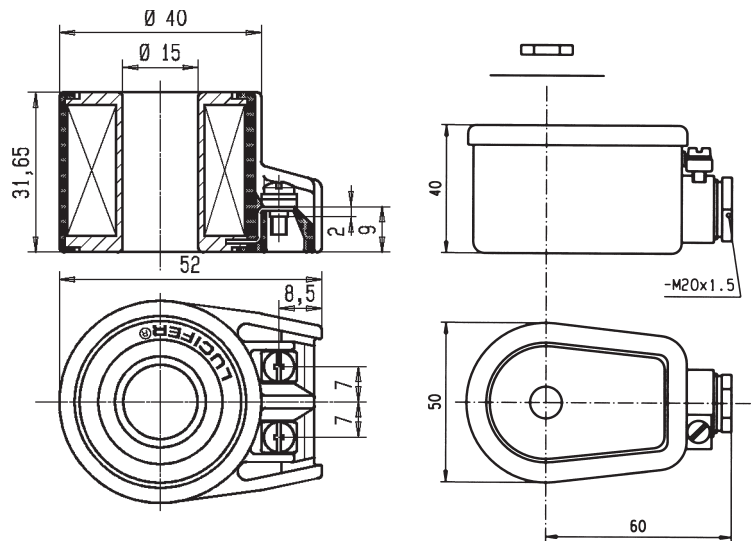
Coils and Spare Parts Informations

Coils 32 mm / 37 mm / 40 mm for N33-N34-N35 Series Safe Area Coil 481000 Series with 4538 Watertight and dust proof housing IP67 Ref. 481000

Coil 481000 series is encapsulated in synthetic material. Electrical connection is made with screw terminals for wire up to 1.5 mm. This coil conforms to the IEC/CENELEC safety standards and complies with European low voltage directive 73/23/EC. It must be used with a metallic housing.

- Power: 8W
- Insulation Class: F (155°C)
- Degree of Protection: IP67 (with 4538 housing)
- Duty Cycle: 100%
- Voltage Tolerance -10%/+10%
- Ambient Temperature -40°C/+50°C
- ▶ The application can be limited also by the temperature range of the valve

Available Voltages	Order Code
12 VDC	481000 C1
24 VDC	481000 C2
48 VDC	481000 C4
110 VDC	481000 C5
24/50 VAC	481000 A2
48/50 VAC	481000 A4
110-115/50 VAC	481000 OA
220-230/50 VAC	481000 3D
380/50-440/60 VAC	481000 5P
24/60 VAC	481000 B2
110-115/60 VAC	481000 6J
220-240/60 VAC	481000 4K
42/50-48/60 VAC	481000 S7



Housing 4538

This enclosure is dust and water proof. It corresponds to the protection degree IP67 according to IEC/EN60529. Corrosion resistant, the metallic housing offers good protection for the coil against shocks. It can be 360° orientable. This housing must be equipped with 481000 series coil.

Material: galvanized passivated steel - Degree of protection IP67 according to IEC/EN 60529 - Electrical connection: cable connection by cable gland according to DIN46320. Cable with outer diameter 6.5-13.5 mm (M20x1.5) can be simply sealed using a rubber gland resilient sealing rings. The enclosure is internally and externally fitted with grounding and earthing screw terminals.

How to Order

Valve Reference Number - Housing Reference - Coil Reference - Voltage Code = Order Code

Example: 331N34 - 4538 - 481000C2

Valves and coils may be ordered also separately.

Coils 32 mm / 37 mm / 40 mm for N33-N34-N35 Series ATEX Zone 2-22

Ref. 495870

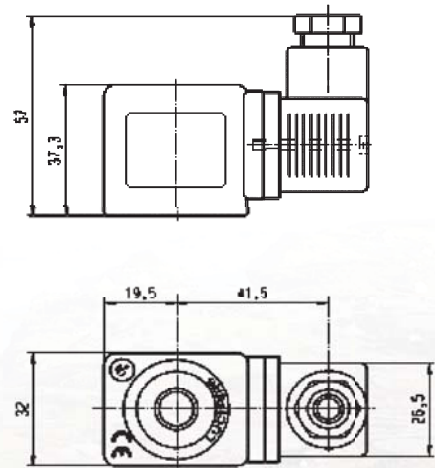
This coil with connection 2P+G - when mounted together with the supplied Pg 9 plug (delivered with the coil), is suitable for use in Gas and Dust dangerous areas (**Zone 2-22**), according to the European directive **ATEX 94/9/C**.

Certificate LCIE 05 ATEX 6003 X - Protection mode: non sparking / limited energy solenoid

- II 3 G - Ex nAC IIC T3 / T4
- II 3 D - Ex tD A22 IP65 - T 195°C / T 130°C



- Power: 8W (AC) 9W (DC)
- Insulation Class: F (155°C)
- Degree of Protection: IP65 (with plug)
- Duty Cycle: 100% ED
- Voltage Tolerance -10%/+10%
- Ambient temperature
 - ▶ T3 (gaz) T 195°C (dust) -40°C/+65°C
 - ▶ T4 (gaz) T 130°C (dust) -40°C/+50°C
 - ▶ The application can be limited also by the temperature range of the valve



Available Voltages	Order Code
24 VDC	495870 C2
48 VDC	495870 C4
110 VDC	495870 C5
24/50 VAC	495870 A2
48/50 VAC	495870 A4
110/50 VAC	495870 A5
220-230/50 VAC	495870 3D



How to Order

This coil must be used together with a housing kit which includes a nut, a plate, and a washer. Housing kit order code: **2995**

Valve Reference Number - Coil Reference - Voltage code = Order code

Example: 331N34 - 2995 - 495870 A5

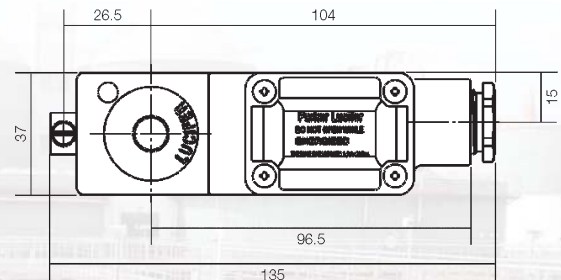
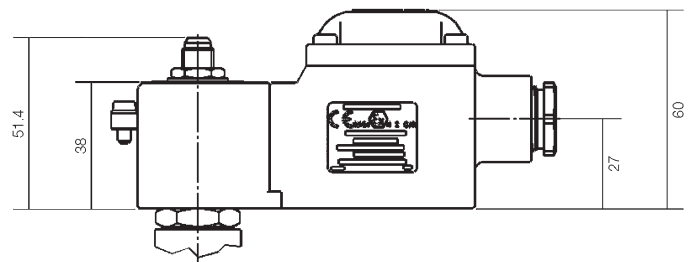
Valves and coils may be ordered also separately.

Coils 32 mm / 37 mm / 40 mm for N33-N34-N35 Series ATEX Zone 1-21

Ref. 495905

This coil is suitable for use in Gas and Dust dangerous areas (**Zone 1-21**), according to the European directive **ATEX 94/9/C**. It's also IECEx certified according to the IECEx Scheme. **Certificate LCIE 02 ATEX 6451 X - Protection modes: Explosionproof solenoids with flameproof enclosure / encapsulation "d mb"**

- II 2 G - Ex d mb IIC T4
- II 2 D - Ex tD A21 IP67 - T 130°C
- Insulation Class H (180°C)
- Power: 8W (AC-DC)
- Degree of Protection IP67
- Duty Cycle 100%
- Voltage Tolerance -10%/+10%
- Ambient Temperature: -40°C/+65°C
 - ▶ The application can be limited also by the temperature range of the valve



Available Voltages	Order Code
24 VDC	495905 C2
48 VDC	495905 C4
110 VDC	495905 C5
24/50 VAC	495905 A2
48/50 VAC	495905 A4
110/50 VAC	495905 E5
220-230/50 VAC	495905 3D
115/60	495905 E5
240/60	495905 B8

Electric connection is done in the connection box on an easily accessible connector terminals.
M20x1.5 Cable gland



How to Order

The housing kit is already included into the coil reference, so it's not needed to add it in the order code:
Valve Reference Number - Coil Reference - Voltage code = Order code

Example: 347N33 - 495905 C2

Valves and coils may be ordered also separately.

Coils 32 mm / 37 mm / 40 mm for N33-N34-N35 Series ATEX Solutions Zone 1-21

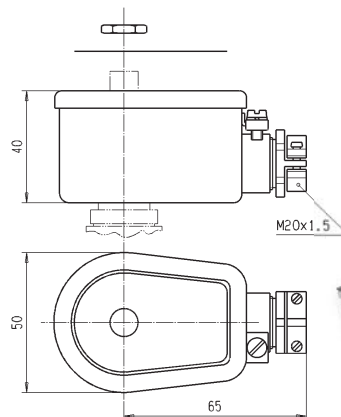
Ref. 483371 & 494040

ATEX Zone 1-21

These coils are suitable for use in Gas and Dust dangerous areas (**Zone 1-21**), according to the European directive **ATEX 94/9/C**. **Protection mode: encapsulated electrical parts with increased safety.**

Reference		483371 or HZ06	494040 or HZ23
Approval		LCIE 02 ATEX 6011 X	
Type of protection	Gas	II 2 G - Ex e mb II T4	II 2 G - Ex e mb II T3
	Dust	II 2 D - Ex tD A21 T 130°C	II 2 D - Ex tD A21 T 195°C
Degree of protection		IP67	
Ambiant temperature		-40°C to +65°C	-40°C to +90°C
The application is limited also by the temperature range of the valve			
Class of insulation		F (155°)	H (180°)
Electrical connection By special cable gland or M20x1.5 "Ex e" on screw terminals for wires up to 1.5 mm ² . Cables with outside diameter 6.5 mm to 13.5 mm can be simply sealed using the rubber gland with resilient sealing rings supplied.			
Elect. Power	DC Pn (hot)	8 W	8 W
	P (cold) 20°C	9 W	9 W
	AC Pn (holding)	8 W	8 W
		32 VA (9 W)	32 VA (9 W)
Voltage tolerance		Tolerance -10/ +10% of the nominal voltage	
Solenoid duty		Continuous duty solenoid (ED 100%)	

Available Voltages	Order Code	Order Code
6 VDC	483371 C0	-
12 VDC	483371 C1	-
24 VDC	483371 C2	494040 C2
36 VDC	483371 C3	-
48 VDC	483371 C4	-
60 VDC	483371 M3	-
110 VDC	483371 C5	-
125 VDC	483371 3N	494040 3N
220 VDC	483371 C7	494040 C7
12/50 VAC	483371 A1	-
24/50 VAC	483371 A2	494040 A2
48/50 VAC	483371 A4	-
110-115/50 VAC	483371 0A	494040 0A
220-230/50	483371 3D	494040 3D
24/60 VAC	483371 B2	-
110-115/60 VAC	483371 6J	-
220-240/60 VAC	483371 4K	-
380/50-440/60 VAC	-	494040 5P



Fuses: Both electrical 483371... and 494040... parts have to be connected in series with a safety fuse according to CEI 60127-3.

483371...

DC: 24V / 400mA - 48V / 250mA
110V / 100mA

AC: 24V / 630mA - 48V / 315mA
110/115V / 160mA
220/230V / 80mA

494040...

DC: 24V / 400mA - 125V / 80mA
48V / 220V - 63mA

AC: 24V / 630mA - 48V / 315mA
110/115V / 160mA
220/230V / 80mA

How to Order

The housing kit is already included into the coil reference, so it's not needed to add it in the order code:

Valve Reference Number - Coil Reference - Voltage code = Order code

Example: 347N33 - 483371C2

Valves and coils may be ordered also separately.

Spare Parts Mounting Kit and Accessories

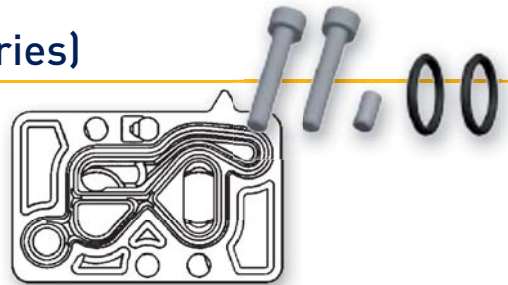
Kit for G1/4" Models without conversion plate (N x 3 Series)

Kit includes the 2 mounting screws M5 x 25 A2, the dowel pin M5 x 10 A2, the 2 O-rings NBR 15 x 2.5
Order code: 496132



Kit for G1/4" Models with conversion plate (N x 5 Series)

Kit includes the 2 mounting screws M5 x 35 A2, the dowel pin M5 x 20 A2, the conversion plate equipped with its seals
Order code: 496742 (equipped plate)
Order code: 496852 (screws + pin)



Kit for G1/2" Models (N x 4 Series)

Kit includes the 2 mounting screws M6 x 35 A2, the dowel pin M6 x 12 A2, the 2 O-rings NBR 24 x 3
Order code: 496133



Exhaust Flow Regulators

Material Body: Brass
Spring: Stainless Steel

Filter element: Sintered bronze
Seal: NBR



G1/8" **Order code: 496551**

G1/4" **Order code: 496552**

G1/2" **Order code: 496553**

Connector for 22 mm Coil

Connector DIN43650 AB Pg9 2P+E

Order code: 481043



Housing for 22 mm Coil

Plastic nut with O-ring

Order code: 3125



Connector for 32 mm Coil

Connector DIN43650 AA Pg9 2P+E

Order code: 486586



Notes

Parker's Motion & Control Technologies

At Parker, we're guided by a relentless drive to help our customers become more productive and achieve higher levels of profitability by engineering the best systems for their requirements. It means looking at customer applications from many angles to find new ways to create value. Whatever the motion and control technology need, Parker has the experience, breadth of product and global reach to consistently deliver. No company knows more about motion and control technology than Parker. For further info call 00800 27 27 5374.



AEROSPACE

Key Markets

- Aircraft engines
- Business & general aviation
- Commercial transports
- Land-based weapons systems
- Military aircraft
- Missiles & launch vehicles
- Regional transports
- Unmanned aerial vehicles

Key Products

- Flight control systems & components
- Fluid conveyance systems
- Fluid metering delivery & atomization devices
- Fuel systems & components
- Hydraulic systems & components
- Inert nitrogen generating systems
- Pneumatic systems & components
- Wheels & brakes



CLIMATE CONTROL

Key Markets

- Agriculture
- Air conditioning
- Food, beverage & dairy
- Life sciences & medical
- Precision cooling
- Processing
- Transportation

Key Products

- CO₂ controls
- Electronic controllers
- Filter driers
- Hand shut-off valves
- Hose & fittings
- Pressure regulating valves
- Refrigerant distributors
- Safety relief valves
- Solenoid valves
- Thermostatic expansion valves



ELECTROMECHANICAL

Key Markets

- Aerospace
- Factory automation
- Food & beverage
- Life science & medical
- Machine tools
- Packaging machinery
- Paper machinery
- Plastics machinery & converting
- Primary metals
- Semiconductor & electronics
- Textile
- Wire & cable

Key Products

- AC/DC drives & systems
- Electric actuators
- Controllers
- Gantry robots
- Gearheads
- Human machine interfaces
- Industrial PCs
- Inverters
- Linear motors, slides and stages
- Precision stages
- Stepper motors
- Servo motors, drives & controls
- Structural extrusions



FILTRATION

Key Markets

- Food & beverage
- Industrial machinery
- Life sciences
- Marine
- Mobile equipment
- Oil & gas
- Power generation
- Process
- Transportation

Key Products

- Analytical gas generators
- Compressed air & gas filters
- Condition monitoring
- Engine air, fuel & oil filtration & systems
- Hydraulic, lubrication & coolant filters
- Process, chemical, water & microfiltration filters
- Nitrogen, hydrogen & zero air generators



FLUID & GAS HANDLING

Key Markets

- Aerospace
- Agriculture
- Bulk chemical handling
- Construction machinery
- Food & beverage
- Fuel & gas delivery
- Industrial machinery
- Mobile
- Oil & gas
- Transportation
- Welding

Key Products

- Brass fittings & valves
- Diagnostic equipment
- Fluid conveyance systems
- Industrial hose
- PTFE & PFA hose, tubing & plastic fittings
- Rubber & thermoplastic hose & couplings
- Tube fittings & adapters
- Quick disconnects



HYDRAULICS

Key Markets

- Aerospace
- Aerial lift
- Agriculture
- Construction machinery
- Forestry
- Industrial machinery
- Mining
- Oil & gas
- Power generation & energy
- Truck hydraulics

Key Products

- Diagnostic equipment
- Hydraulic cylinders
- Hydraulic cylinders & accumulators
- Hydraulic motors & pumps
- Hydraulic systems
- Hydraulic valves & controls
- Power take-offs
- Rubber & thermoplastic hose & couplings
- Tube fittings & adapters
- Quick disconnects



PNEUMATICS

Key Markets

- Aerospace
- Conveyor & material handling
- Factory automation
- Food & beverage
- Life science & medical
- Machine tools
- Packaging machinery
- Transportation & automotive

Key Products

- Air preparation
- Compact cylinders
- Field bus valve systems
- Grippers
- Guided cylinders
- Manifolds
- Miniature fluidics
- Pneumatic accessories
- Pneumatic actuators & grippers
- Pneumatic valves and controls
- Rodless cylinders
- Rotary actuators
- Tie rod cylinders
- Vacuum generators, cups & sensors



PROCESS CONTROL

Key Markets

- Chemical & refining
- Food, beverage & dairy
- Medical & dental
- Microelectronics
- Oil & gas
- Power generation

Key Products

- Analytical sample conditioning products & systems
- Fluoropolymer chemical delivery fittings, valves & pumps
- High purity gas delivery fittings, valves & regulators
- Instrumentation fittings, valves & regulators
- Medium pressure fittings & valves
- Process control manifolds



SEALING & SHIELDING

Key Markets

- Aerospace
- Chemical processing
- Consumer
- Energy, oil & gas
- Fluid power
- General industrial
- Information technology
- Life sciences
- Military
- Semiconductor
- Telecommunications
- Transportation

Key Products

- Dynamic seals
- Elastomeric o-rings
- EMI shielding
- Extruded & precision-cut, fabricated elastomeric seals
- Homogeneous & inserted elastomeric shapes
- High temperature metal seals
- Metal & plastic retained composite seals
- Thermal management



ENGINEERING YOUR SUCCESS.

Parker Worldwide

AE - UAE, Dubai
Tel: +971 4 8127100
parker.me@parker.com

AR - Argentina, Buenos Aires
Tel: +54 3327 44 4129

AT - Austria, Wiener Neustadt
Tel: +43 (0)2622 23501-0
parker.austria@parker.com

AT - Eastern Europe,
Wiener Neustadt
Tel: +43 (0)2622 23501 900
parker.easteurope@parker.com

AU - Australia, Castle Hill
Tel: +61 (0)2-9634 7777

AZ - Azerbaijan, Baku
Tel: +994 50 2233 458
parker.azerbaijan@parker.com

BE/LU - Belgium, Nivelles
Tel: +32 (0)67 280 900
parker.belgium@parker.com

BR - Brazil, Cachoeirinha RS
Tel: +55 51 3470 9144

BY - Belarus, Minsk
Tel: +375 17 209 9399
parker.belarus@parker.com

CA - Canada, Milton, Ontario
Tel: +1 905 693 3000

CH - Switzerland, Etoy
Tel: +41 (0)21 821 87 00
parker.switzerland@parker.com

CL - Chile, Santiago
Tel: +56 2 623 1216

CN - China, Shanghai
Tel: +86 21 2899 5000

CZ - Czech Republic, Klecany
Tel: +420 284 083 111
parker.czechrepublic@parker.com

DE - Germany, Kaarst
Tel: +49 (0)2131 4016 0
parker.germany@parker.com

DK - Denmark, Ballerup
Tel: +45 43 56 04 00
parker.denmark@parker.com

ES - Spain, Madrid
Tel: +34 902 330 001
parker.spain@parker.com

FI - Finland, Vantaa
Tel: +358 (0)20 753 2500
parker.finland@parker.com

FR - France, Contamine s/Arve
Tel: +33 (0)4 50 25 80 25
parker.france@parker.com

GR - Greece, Athens
Tel: +30 210 933 6450
parker.greece@parker.com

HK - Hong Kong
Tel: +852 2428 8008

HU - Hungary, Budapest
Tel: +36 1 220 4155
parker.hungary@parker.com

IE - Ireland, Dublin
Tel: +353 (0)1 466 6370
parker.ireland@parker.com

IN - India, Mumbai
Tel: +91 22 6513 7081-85

IT - Italy, Corsico (MI)
Tel: +39 02 45 19 21
parker.italy@parker.com

JP - Japan, Tokyo
Tel: +81 (0)3 6408 3901

KR - South Korea, Seoul
Tel: +82 2 559 0400

KZ - Kazakhstan, Almaty
Tel: +7 7272 505 800
parker.easteurope@parker.com

MX - Mexico, Apodaca
Tel: +52 81 8156 6000

MY - Malaysia, Shah Alam
Tel: +60 3 7849 0800

NL - The Netherlands,
Oldenzaal
Tel: +31 (0)541 585 000
parker.nl@parker.com

NO - Norway, Asker
Tel: +47 66 75 34 00
parker.norway@parker.com

NZ - New Zealand, Mt Wellington
Tel: +64 9 574 1744

PL - Poland, Warsaw
Tel: +48 (0)22 573 24 00
parker.poland@parker.com

PT - Portugal, Leca da Palmeira
Tel: +351 22 999 7360
parker.portugal@parker.com

RO - Romania, Bucharest
Tel: +40 21 252 1382
parker.romania@parker.com

RU - Russia, Moscow
Tel: +7 495 645-2156
parker.russia@parker.com

SE - Sweden, Spånga
Tel: +46 (0)8 59 79 50 00
parker.sweden@parker.com

SG - Singapore
Tel: +65 6887 6300

SK - Slovakia, Banská Bystrica
Tel: +421 484 162 252
parker.slovakia@parker.com

SL - Slovenia, Novo Mesto
Tel: +386 7 337 6650
parker.slovenia@parker.com

TH - Thailand, Bangkok
Tel: +662 717 8140

TR - Turkey, Istanbul
Tel: +90 216 4997081
parker.turkey@parker.com

TW - Taiwan, Taipei
Tel: +886 2 2298 8987

UA - Ukraine, Kiev
Tel: +380 44 494 2731
parker.ukraine@parker.com

UK - United Kingdom,
Warwick
Tel: +44 (0)1926 317 878
parker.uk@parker.com

US - USA, Cleveland
Tel: +1 216 896 3000

VE - Venezuela, Caracas
Tel: +58 212 238 5422

ZA - South Africa,
Kempton Park
Tel: +27 (0)11 961 0700
parker.southafrica@parker.com

Ed. 2010-08-02

European Product Information Centre
Free phone: 00 800 27 27 5374
(from AT, BE, CH, CZ, DE, EE, ES, FI, FR, IE,
IL, IS, IT, LU, MT, NL, NO, PT, SE, SK, UK)

© 2010 Parker Hannifin Corporation.
All rights reserved.



Parker Hannifin Ltd.
Tachbrook Park Drive
Tachbrook Park, Warwick CV34 6TU
United Kingdom
Tel.: +44 (0) 1926 317 878
Fax: +44 (0) 1926 317 855
parker.uk@parker.com
www.parker.com/fcde

Catalogue 1101/UK - 08/2010 - TMCZ

Your local authorized Parker distributor